



TECHNOLOGY FROM IDEAS
Accelerating Innovation

TECHNOLOGY FROM IDEAS

Technology from Ideas (Tfi) is a technology development company. Tfi works with clients to identify and develop new technologies with which to pursue new business opportunities. We work across a diverse range of technologies and sectors.

We combine Commercial, Intellectual Property and Technology Development skills with real-world experience, assisting our clients to accelerate their innovation activities, solving technology challenges and getting product innovations launched faster.

Our clients include Businesses, Inventors, Advisers, Government Agencies and Universities.

INNOVATION SUPPORT SERVICES

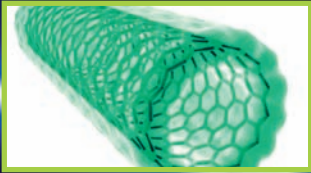
At Tfi we utilise structured, proven processes to evaluate and develop technology solutions, taking inventions to the point where they are investment and market ready.

Our deep technical understanding coupled with practical experience ensures the end proposition matches market requirements.

Tfi can support you in:

- Technology Scouting
- Opportunity Evaluation
- Customer / Market Validation
- Technology Development
- Project / Programme Delivery





TECHNOLOGY SCOUTING

In the current economic climate of constrained resources and shorter development time frames, looking outside the organisation is no longer just an option, it is a necessity.

Our knowledge of academic centres of excellence and contacts with Universities around the world assists in the identification and development of new technical solutions for clients.

OPPORTUNITY EVALUATION

Tfl undertakes initial reviews of technology opportunities, providing a commercial perspective on the Market, the Intellectual Property – know how and patents - and the Technology itself. This delivers an overview of the state-of-the-art, the competitive and technology landscape, and the value proposition being considered.

CUSTOMER / MARKET VALIDATION

Our experience is that early stage customer and market validation is crucial to the success of commercialisation projects. We assist in the identification and engagement with potential customers to validate opportunities at an early stage.

TECHNOLOGY DEVELOPMENT

We work with our clients in developing and executing their technology development plans. A typical Proof of Concept project would involve Tfl applying its published methodology to address IP Creation & Protection, Technology Prototyping, Market Validation and Product Development Roadmaps.

Our knowledge and experience of prototyping early stage technologies ensures the end results match customer requirements. Using our own laboratory facilities and a network of development partners, Tfl can help shorten your time to market.

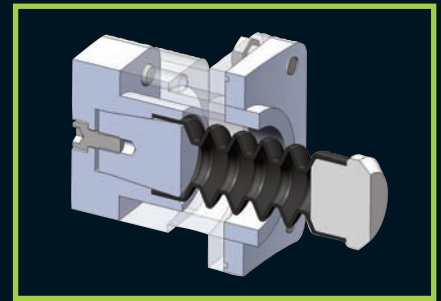
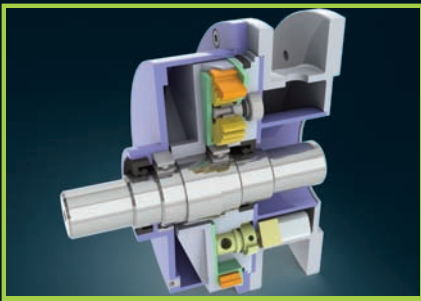
PROJECT / PROGRAMME DELIVERY

Our team of experienced R&D project and programme managers can lead projects from inception to completion, handle specific elements of the project or act as advisers when hurdles are encountered.

TFI TEAM

Tfl's multidisciplinary team of business specialists, engineers and award winning scientists, brings years of hands on experience with all aspects of Innovation.

The team has broad senior level, technical, industrial and commercial expertise. This is coupled with significant project management and delivery experience ranging from large aerospace and defence contracts, to commercial outsourced R&D and product development. This mix of skills and experience allows Tfl to offer a uniquely creative approach to technology development and commercialisation.



SOME CURRENT PROJECTS

- Through an Invest Northern Ireland project, we have been working with a cross-section of SMEs reviewing their technology innovations and assisting them with commercialisation planning.
- Developing protective components for wave energy devices. Along with designing and testing prototypes, this project involved the negotiation of development and licensing agreements with world leading material and polymer companies.
- Developing a range of applications to commercialise a novel braking solution for use on industrial machinery including wind turbines, cranes and mining equipment. We

have taken the research concepts, from a Cambridge University researcher, through Patenting, Proof of Concept and Prototyping.

- Idea generation and product development project in the Water and Waste Water Systems market for an SME looking for market / product development opportunities. The opportunities are now at the Proof of Concept stage.
- Working with university researchers developing and commercialising new processes for applying nano-composites to enhance the features of polymer materials for a range of applications including anti-graffiti protection, enhanced bonding, antibacterial protection and electro-magnetic shielding.

CONTACT Tfi

If you or your team would like to discuss how Tfi can support your technology development needs, we will be delighted to hear from you.

You can contact:

Noel Halloran, CEO

Dan Richardson, COO

Technology from Ideas, Unit 3B,
Cleaboy Business Park, Waterford, Ireland

Tel +353 51 374410

info@technologyfromideas.com

www.technologyfromideas.com